

THE STATE OF ALABAMA,
Baldwin County

TO ANY SHERIFF OF THE STATE OF ALABAMA:
An indictment having been found against

Joe Littlejohn

at the Spring Term, 1948, of the Circuit Court of Baldwin County, for the offense of

Receiving Stolen Property

you are, therefore, commanded forthwith to arrest the said Defendant and commit him

to jail, unless he give bail to answer said indictment, and that you return this Writ according to law

Dated this 13th day of April, 1948

Alice J. Duck
Clerk Circuit Court of Baldwin County.

THE STATE OF ALABAMA,
Baldwin County

We, _____, as principal and

the other undersigned as sureties, agree to pay the State of Alabama _____

Dollars, unless the said _____ appears

at the _____ Term of the Circuit Court of Baldwin County, and from Term to

Term thereafter until discharged by law, to answer a criminal prosecution for the offense of _____

In signing the above bond we and each of us hereby waive all legal rights of exemptions allowed us by the Constitution and Laws of Alabama.

Witness our hands and seals this _____ day of _____, 194_____.

- _____ (L. S.)
- _____ (L. S.)
- _____ (L. S.)
- _____ (L. S.)
- _____ (L. S.)

Taken and approved _____ day of _____, 194_____.

Sheriff of Baldwin County.

✓

CAPIAS

976

No. 45

THE STATE

vs.

Joe Littlejohn

Bail Fixed in This Case in Open Court at

\$ 75000

By F. W. Ware
Judge Presiding.

Attest: Alice J. Wuch
Clerk.

Executed this 28 day of April, 1948

By arresting the within

named Defendant

and placing him on Bond

Taylor Wilkin, Sheriff

W. F. Hall, Deputy Sheriff

Raf

THE STATE OF ALABAMA,

Baldwin County.

Circuit Court, Spring Session ~~1947~~, 1948

The Grand Jury of said County charge that before finding this indictment Joe Little Taylor, alias Joe Crickerjig, whose name is to the Grand Jury otherwise unknown, did buy, receive, conceal, or aid in concealing one cow of the value of one hundred dollars, the personal property of Richard Horn, knowing that it was stolen and not having the intent to restore it to the owner,

against the peace and dignity of the State of Alabama.

R. H. Elliott
Solicitor of the Twenty-First Judicial Circuit.

RECORDED

No. 45

THE STATE OF ALABAMA,
BALDWIN COUNTY

Circuit Court

Spring Session, 1948

THE STATE

Vs.

Joe Littletaylor

INDICTMENT

Receiving Stolen Property
No Prosecutor.

WITNESSES:

H. F. Hall

Richard Horn

A. R. Willis

Taylor Wilkins

GRAND JURY NO. 45

A TRUE BILL

H. T. James
Foreman Grand Jury.

Filed in open Court and in the presence of
the Grand Jury on the 13th day of

April 1948
Alice J. Welch Clerk.

Presented in open Court to the presiding
Judge by the Foreman of the Grand Jury, in

the presence of 17 other Grand Jurors.

Alice J. Welch
Clerk.

Bail fixed \$ 750 00

J. M. Hare
Judge.

RECORDED IN COURT ROOM 70 BY JAMES E. COOK S. S. 1/13/48

THE STATE OF ALABAMA }
Baldwin County.

CIRCUIT COURT

SUB. No. _____

Case No. 976

Term. Spring, 1948

TO ANY SHERIFF OF THE STATE OF ALABAMA:

You are Hereby Commanded to Summon Richard Horn, Boots
Willis, Houston Wolf, W. F. Hall, L. C. Austrey
Memphis rule

personally to be and appear before the Circuit Court, to be holden for Baldwin County, at the Court House thereof, in Bay Minette, on the 28th day of April, 1948, at 8:30 a.m., and from day to day of said term and from term to term thereafter until discharged, to give evidence and the truth to speak in behalf of THE STATE in a prosecution now pending in said Court, wherein the

State of Alabama is Plaintiff and Joe Little Jayson

Defendant, and have you then and

there this Writ, with your endorsement thereon.

Witness my hand this 20th day of April A. D., 1948.

W. S. Duck
W. S. DUCK, Clerk.

Received in office 4-20, 1938

Executed this 4-22, 1938

By Serving in full

ORIGINAL

For _____

No. 976 Page _____

THE STATE OF ALABAMA
BALDWIN COUNTY

Circuit Court

THE STATE
Vs.

Joe Littlejohn

STATE SUBPOENA

Issued this 20th day of

April, 1938

Wm J. Leuch
Clerk.

Taylor W. Atkins
R. F. Hall Sheriff.
D.S.

THE STATE OF ALABAMA, }
Baldwin County.

CIRCUIT COURT

SUB. No. _____

Case No. 976

Term. December 1948

To Any Sheriff of the State of Alabama :

You are Hereby Commanded to Summon RICHARD HORN, ROOTS WILLIS, HOUSTON
WOLF, F. H. HALL, L. C. AUTREY, MEMPHIS DALE

personally to be and appear before the Circuit Court, to be holden for Baldwin County, at the Court House thereof, in Bay Minette, on the 8th day of DECEMBER 1948, at 8:30 a. m., and from day to day of said term and from term to term thereafter until discharged, to give evidence and the truth to speak in behalf of THE STATE in a prosecution now pending in said Court, wherein the State of Alabama is Plaintiff and JOE LITTLE TAYLOR

_____ Defendant, and have you then and there this Writ, with your endorsement thereon.

Witness my hand this 15th day of NOV. A. D., 1948.

Mrs R. S. DUCK, Clerk.

Received in office 11-25 19348

Executed this 12-2 19348

By seriving

Richard Horn
H. F. Hall

Taylor Wilkins
H. F. Hall
Sheriff.

Fairhope

ORIGINAL

For _____

No. 976
967 Page _____

THE STATE OF ALABAMA
BALDWIN COUNTY

CIRCUIT COURT

THE STATE

vs.

JOE LITTLE TAYLOR

STATE SUBPOENA

Issued this 16th day of

NOV. 19348

Miss J. Lucke
Clerk.

STATE OF ALABAMA,
Baldwin County

CIRCUIT COURT

Sub No. _____

Case No. 976 Term Dec, 1948

To Any Sheriff of the State of Alabama:

You are hereby commanded to Summon _____

Memphis Dale

personally to be and appear before the Circuit Court, to be holden for Baldwin County, at the Court House thereof, in Bay Minette, on the 9th day of Dec, 1948, at 8:30 a. m., and from day to day of said term, and from term to term thereafter until discharged, to give evidence and the truth to speak in behalf of THE STATE in a prosecution now pending in said Court, wherein the State of Alabama is Plaintiff and Joe Littlejohn

Defendant, and have you then and there this Writ, with your endorsement thereon.

Witness my hand this 15th day of Nov A. D. 1948 ALICE J. DUCK, Clerk.

STATE OF ALABAMA,
Baldwin County

CIRCUIT COURT

Sub No. _____

Case No. 976 Term Dec, 1948

To Any Sheriff of the State of Alabama:

You are hereby commanded to Summon _____

Boots Wallis

personally to be and appear before the Circuit Court, to be holden for Baldwin County, at the Court House thereof, in Bay Minette, on the 8th day of Dec, 1948, at 8:30 a. m., and from day to day of said term, and from term to term thereafter until discharged, to give evidence and the truth to speak in behalf of THE STATE in a prosecution now pending in said Court, wherein the State of Alabama is Plaintiff and Joe Little Taylor

Defendant, and have you then and

there this Writ, with your endorsement thereon.

Witness my hand this 15th day of Nov A. D. 1948. ALICE J. DUCK, Clerk.

STATE OF ALABAMA,
Baldwin County

CIRCUIT COURT

Sub No. _____

Case No. 976 Term Dec, 1948

To Any Sheriff of the State of Alabama:

You are hereby commanded to Summon

L. A. Cantrey

personally to be and appear before the Circuit Court, to be holden for Baldwin County, at the Court House thereof, in Bay Minette, on the 8th day of Dec, 1948, at 8:30 a. m., and from day to day of said term, and from term to term thereafter until discharged, to give evidence and the truth to speak in behalf of THE STATE in a prosecution now pending in said Court, wherein the State of Alabama is Plaintiff and

Joe Little Taylor

Defendant, and have you then and

there this Writ, with your endorsement thereon

Witness my hand this 15th day of Nov A. D. 1948

ALICE J. DUCK, Clerk.

THE STATE OF ALABAMA }
Baldwin County }

We, Joe Little Taylor, as principal, and undersigned as sureties, agree to pay THE STATE OF ALABAMA, the sum of 500⁰⁰

Five Hundred & 00/100 DOLLARS

unless the said Joe Little Taylor appear at the

Fall Term, 1948 of the Circuit Court of Baldwin County, Alabama, and from term to term thereafter until discharged by law, to answer a criminal prosecution for the offense of

Receiving Stolen Property

We hereby waive as to all amounts that may become due hereunder the benefit of all laws exempting personal property from levy and sale under execution or other process for the collection of debt, by constitution or laws of the State of Alabama, and we hereby severally certify that we have property over and above all debts, liabilities, exemptions and this bond to the amount of: real property of the value of \$2,000.00 and personal property of the value of \$1,000.00.

Sworn to and subscribed before me this the _____ day of _____, 19____

_____, Baldwin County, Ala.

J. B. Little Taylor (Seal)
J. D. Carter (Seal)
W. L. Moore (Seal)
J. B. Huffin (Seal)

Taken and approved this the 28 day of April 1948

Taylor Atkins, Sheriff

By Walter B. Huffin, Deputy Sheriff

CR

No. _____

The State of Alabama,
BALDWIN COUNTY

_____ COURT

SHERIFF'S OFFICE

The State
vs.

Joe Littlejohn

Sheriff's Appearance Bond

Amount of Bond, \$ _____

Filed _____, 19____

_____, Clerk

Joe Littlejohn

WRP

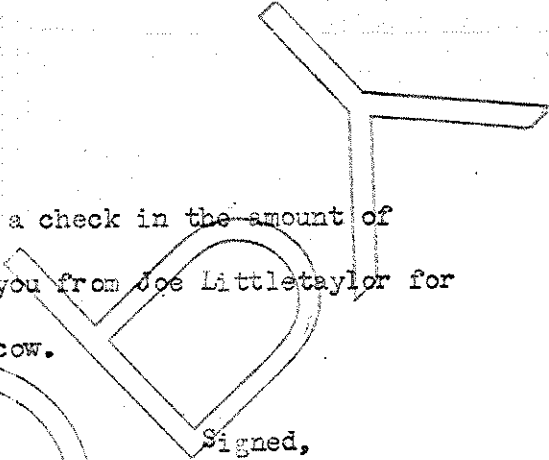
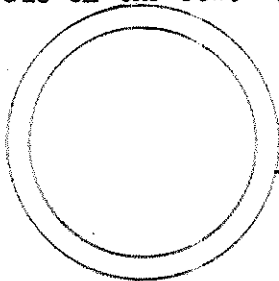
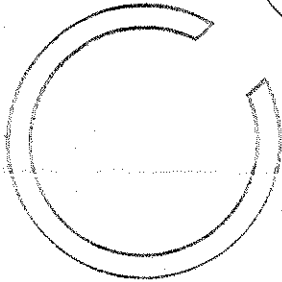
April 13, 1949

Richard Horn,
Fairhope, Ala.,

I am herewith enclosing a check in the amount of
\$24.65 made payable to you from Joe Little Taylor for
the balance due on the cow.

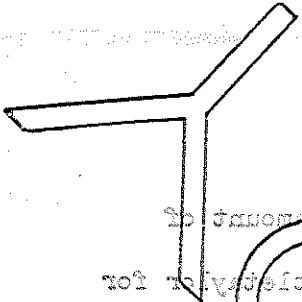
Signed,

Clerk Circuit Court.



976

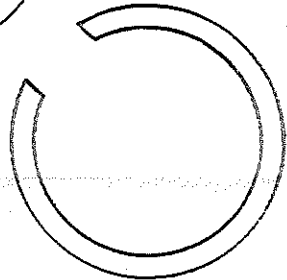
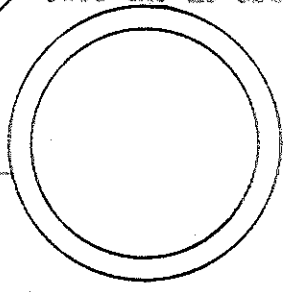
April 13, 1919



Richard Horn,
Fairhope, Ala.

I am herewith enclosing a check in the amount of
\$21.05 made payable to you from the trustee for
the balance due on the cow.

Signed,



Clark George Horn.